

★ FIVE ★ ★ ★ STAR ★

COMMERCIAL ROOFING, INC.

A NATIONAL ROOFING COMPANY SERVING ALL OF YOUR ROOFING NEEDS

1119 SOUTH STATE ROAD 3 HARTFORD CITY, IN 47348

Florida # CCC 1327192 ILLINOIS # 104015080

PHONE: 1-888-811-3736

FAX: 765-331-2072

<http://www.fivestarroof.com>

ROOFING PROPOSAL
YORKTOWN FIRE DEPARTMENT
8905 WEST SMITH STREET
YORKTOWN, IN 47396
ATTN: JASON EPPARD

EMAIL: EPPARDJ@FISHER.IN.US

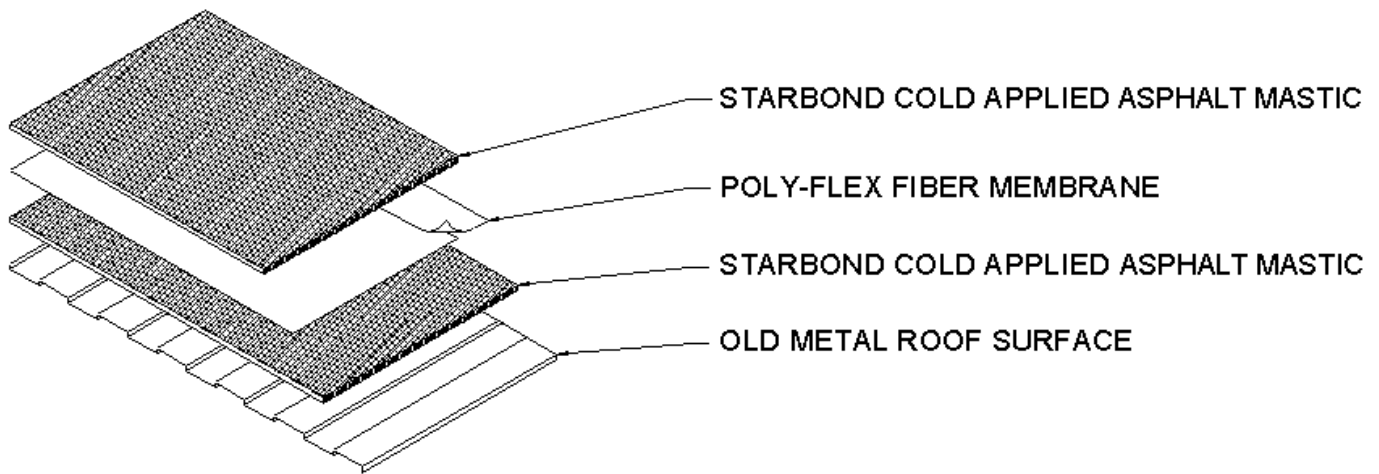
QUALITY SEAMLESS ROOFING

SCOPE:

1. Examine current roof surface, to determine age and condition of existing roofing material and any problem areas.
2. Compile accurate information for a complete evaluation and presentation to building owner or facility manager.
3. Prepare a comprehensive repair or replacement proposal including examination results, photographs, roof system options and costs.

10 YEAR ROOFING SYSTEM

ROOF SYSTEM FOR METAL ROOFS



METAL ONE PLY BLACK ROOFING SYSTEM

Apply first layer of Starbond Modified Cold Applied Asphalt Mastic to roof surface.

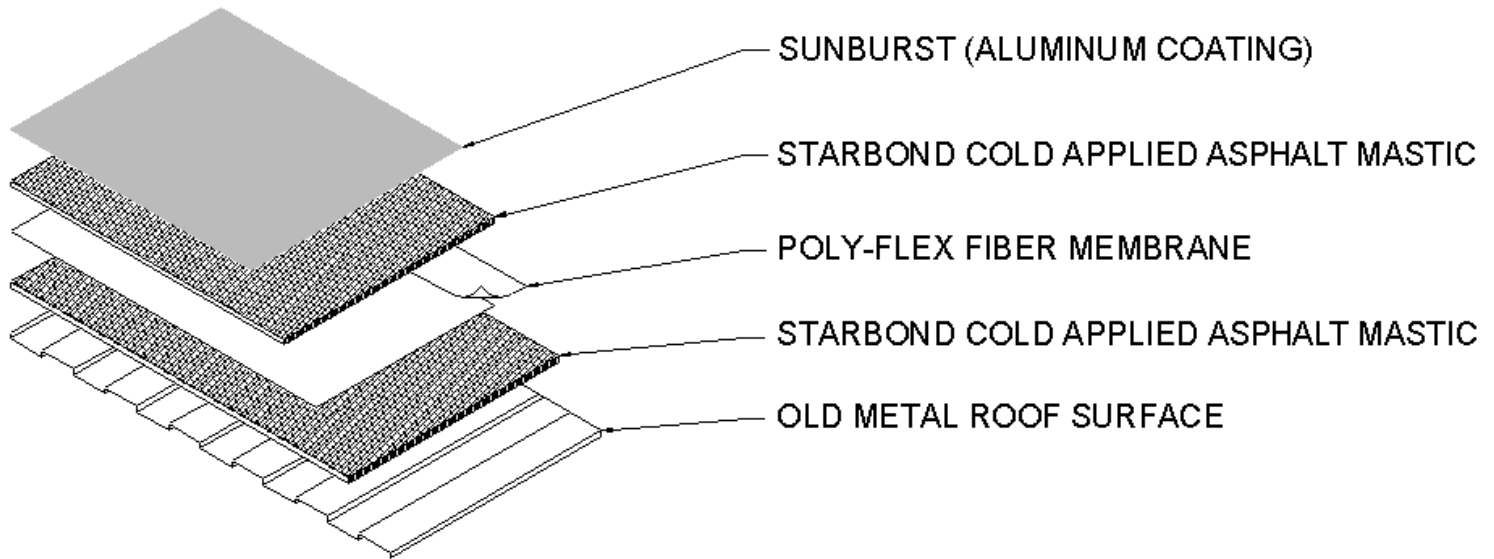
Install a layer of Poly-Flex fiber Membrane.

Flash all protrusions through roof, i.e.: vents, drains, HVAC units, etc.

Apply second layer of Starbond Modified Cold Applied Asphalt Mastic.

15 YEAR ROOFING SYSTEM

ROOF SYSTEM FOR METAL ROOFS



METAL ONE PLY COAT ROOFING SYSTEM

Apply first layer of Starbond Modified Cold Applied Asphalt Mastic to roof surface.

Install a layer of Poly-Flex fiber Membrane.

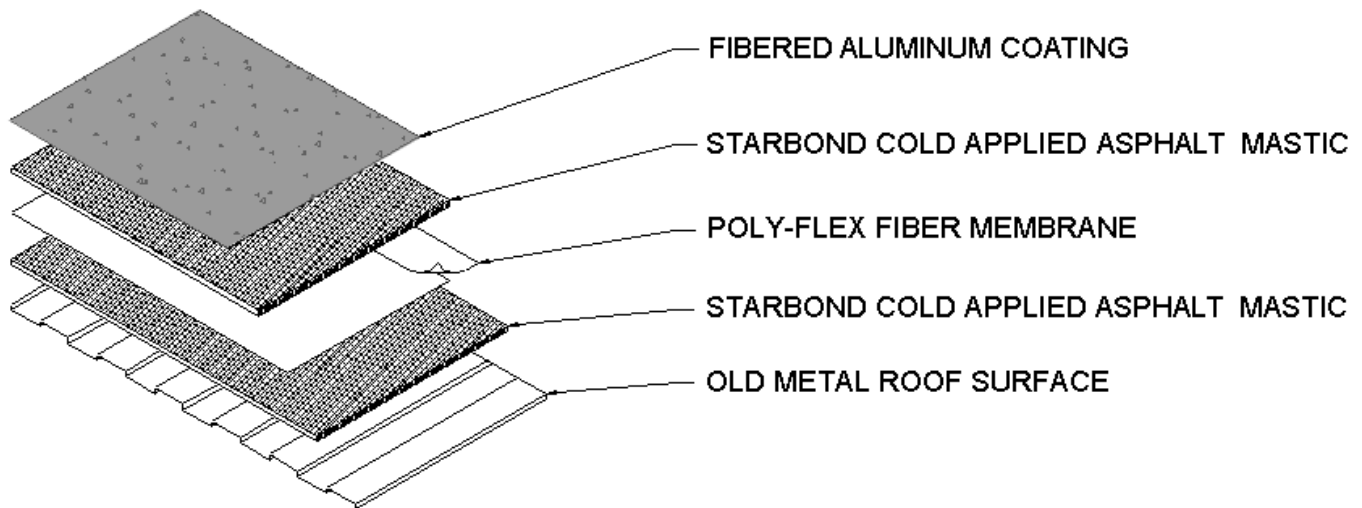
Flash all protrusions through roof, i.e.: vents, drains, HVAC units, etc.

Apply second layer of Starbond Modified Cold Applied Asphalt Mastic.

Apply cover layer of Sun Burst Aluminum Roof Coating.

20 YEAR ROOFING SYSTEM

ROOF SYSTEM FOR METAL ROOFS



METAL ONE PLY FIBERED ALUMINUM COAT ROOFING SYSTEM

Apply first layer of Starbond Modified Cold Applied Asphalt Mastic to roof surface.

Install a layer of Poly-Flex fiber Membrane.

Flash all protrusions through roof, i.e.: vents, drains, HVAC units, etc.

Apply second layer of Starbond Modified Cold Applied Asphalt Mastic.

Apply cover layer of Fibered Aluminum Coating.

WARRANTY:

METAL ONE PLY BLACK

10 YEARS

METAL ONE PLY FIBERED COAT

20 YEARS

METAL ONE PLY COAT

15 YEARS

PRICE:

We propose to provide all labor, tools, materials and equipment to re-roof the area at the above location for the sum of:

4,500 SQ FT

METAL ONE PLY BLACK \$ 8,550.00

METAL ONE PLY COAT \$10,350.00

METAL ONE PLY FIBERED COAT \$11,250.00

TERMS:

BLACK AND FIBERED: 1/3 down upon execution of contract. Balance due upon completion of work described above.

COAT: 1/3 down and balance upon completion less a ten percent retainer held for aluminum coating. Aluminum coating will be completed after minimum curing time of sixty days.

NOTES:

1. Contractor provides General Liability and Workers Compensation Insurance.
2. Removal and closure of disused penetration, and replacement of any deteriorated decking or saturated insulation to be billed separately on a per square foot basis. To be determined upon necessity at time that work is performed. Customer to be consulted in advance.
3. Warranties listed cover material and come with a three year labor warranty.
4. Customer to supply dumpster if necessary for roofing debris.
5. Sunburst Aluminum Roof Coating to be applied after minimum curing time of 60 days if coating option was selected. Balance due upon completion of black system less a ten percent retainer held for Aluminum Coating.
6. It is the customer's responsibility to move items away from the outside perimeter of the building during application. The contractor shall not be held liable for any over-spray on items not moved.

FIVE STAR COMMERCIAL ROOFING WILL MEET OR BEAT ANY REPUTABLE ROOFING COMPANIES BID.

FIVE STAR COMMERCIAL ROOFING, INC.

BY: CHRIS SPEGAL

TITLE: SALES

DATE: 11/21/2013

COMPANY: YORKTOWN FIRE DEPARTMENT

ACCEPTED BY: _____

TITLE: _____

DATE: _____