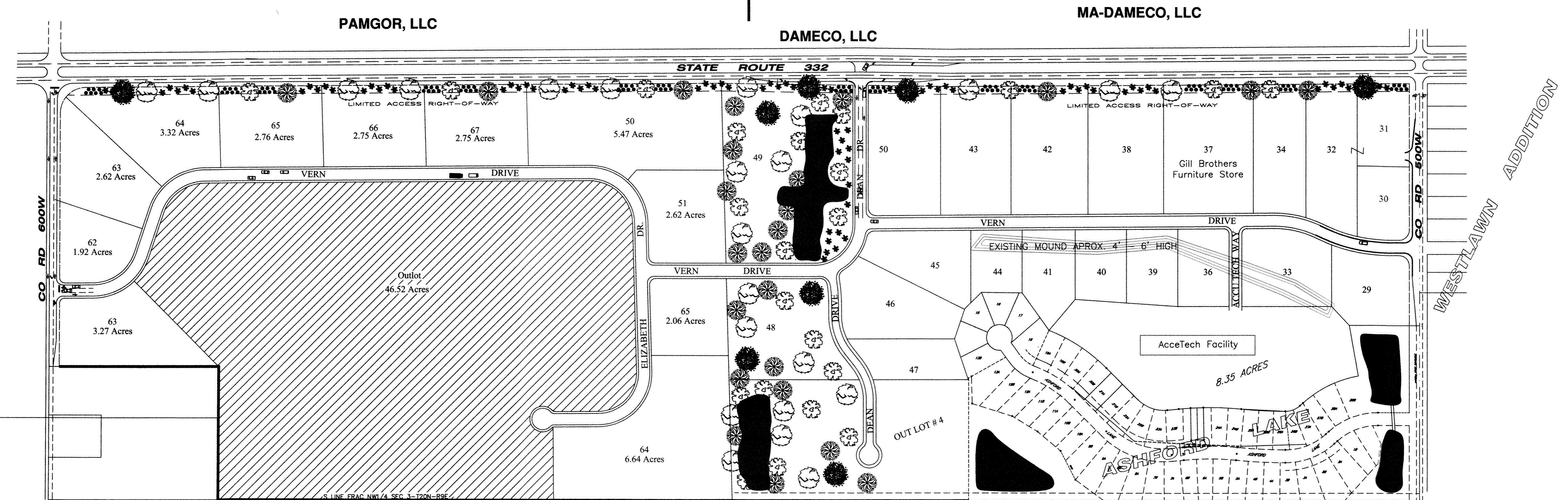
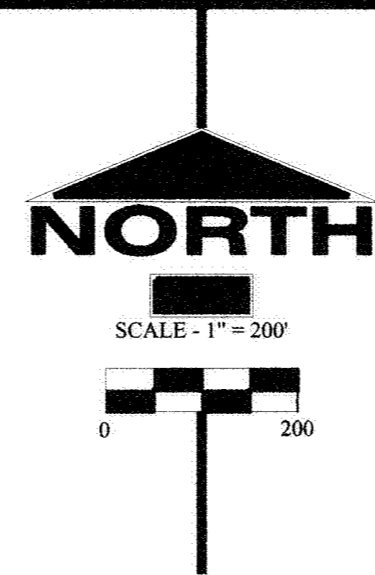
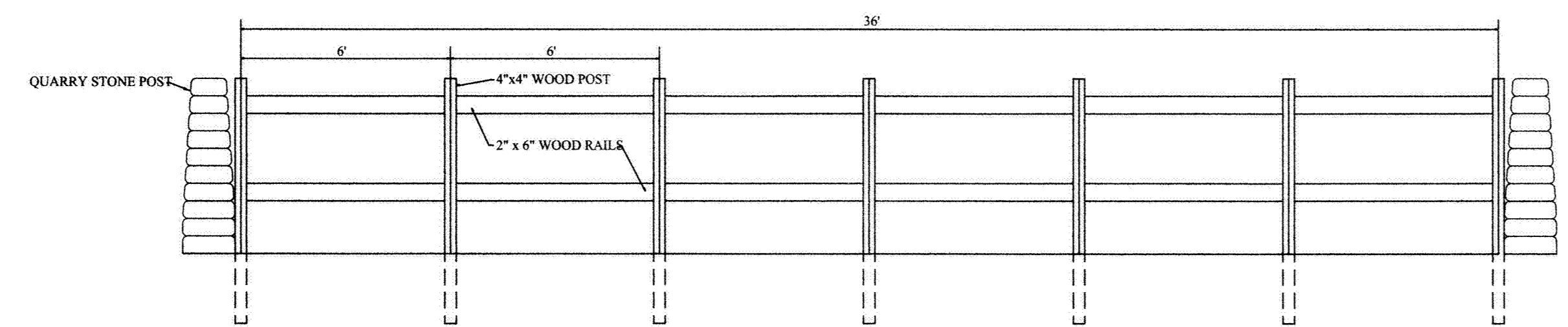


# YORKTOWN COMMONS

COMMERCIAL DEVELOPMENT CENTER  
TO THE TOWN OF YORKTOWN, IN.



SW COR. FRAC NW1/4  
SEC 3-T20N-R9E  
SHIFTER ROD IN (DCSO MONUMENT)



RIGHT OF WAY FENCE

**ADM COMMERCIAL PROPERTY**  
3410 W. FOX RIDGE LN.  
MUNCIE, IN. 47304  
ATTN. JULIE BERING  
PH. 765-282-7185

**MORRISON & ASSOCIATES**  
A Division of Bryan and Associates of Indiana, LLC.  
Engineering and Land Surveying (765)-282-4584 office  
1100 Martin Luther King Blvd., Suite 9 (765)-282-4605 fax  
Muncie, Indiana. 47304  
LAND PLANNING & DESIGN