



FM2015R

- Cutting heights 1-5"
- 8 gauge reinforced steel deck
- Pneumatic tires
- Single action hydraulic folding wing system
- Heavy duty transport frame

\$17,050



Quote Summary

Prepared For:
Town Of Yorktown
P.o. Box 518
9800 W Smith St
Yorktown, IN 47396
Business: 765-759-4002

Prepared By:
Nick Meeks
Reynolds Farm Equipment
2220 E Mcgalliard Road
Muncie, IN 47303
Phone: 765-289-1833
nmeeks@rfemail.com

Quote Id: 17995600
Created On: 15 August 2018
Last Modified On: 16 August 2018
Expiration Date: 31 August 2018

Equipment Summary	Suggested List	Selling Price	Qty	Extended
Frontier FM2015R Flex-Wing Grooming Mower with Pneumatic Tires	\$ 21,290.00	\$ 17,050.00 X	1 =	\$ 17,050.00
Equipment Total				\$ 17,050.00

Quote Summary	
Equipment Total	\$ 17,050.00
SubTotal	\$ 17,050.00
Est. Service Agreement Tax	\$ 0.00
Total	\$ 17,050.00
Down Payment	(0.00)
Rental Applied	(0.00)
Balance Due	\$ 17,050.00

Salesperson : X _____

Accepted By : X _____



JOHN DEERE

Selling Equipment

Quote Id: 17995600

Customer: TOWN OF YORKTOWN

Frontier FM2015R Flex-Wing Grooming Mower with Pneumatic Tires

Hours:

Suggested List

Stock Number:

\$ 21,290.00

Selling Price

\$ 17,050.00

Code	Description	Qty	Unit	Extended
0432XF	FM2015R Flex-Wing Grooming Mower with Pneumatic Tires	1	\$ 21,110.00	\$ 21,110.00

Other Charges

Setup	1	\$ 180.00	\$ 180.00
Other Charges Total			\$ 180.00

Suggested Price \$ 21,290.00

Customer Discounts

Customer Discounts Total \$ -4,240.00 \$ -4,240.00

Total Selling Price \$ 17,050.00

Quote ID :17995600Customer Name : TOWN OF YORKTOWN

Product features, prices and specifications are based on published information at the time of publication and are subject to change without notice. All trademarked terms, including John Deere, the leaping deer symbol and the colors green and yellow used herein are the property of Deere & Company, unless otherwise noted. Products, product features, and other content on this site may only be accurate for products marketed and sold in North America.
Copyright © 1994- 2018 Deere & Company. All Rights Reserved.

File Created: 16-Aug-2018

2019 Frontier FM2015R Flex-Wing Grooming Mower with Pneumatic Tires

Key Features

Anti-scalping rollers

Anti-scalping rollers are mounted to the front of each cutting deck on the FM20 and FM21 Series Flex-Wing Grooming Mowers.



Mounted to front of mower

Key Features

Pneumatic tires put less pressure on the ground

The pneumatic tires on the FM20 and FM21 Series Flex-Wing Grooming Mowers put less pressure on the ground, making them ideal for use on golf courses and sport fields.



Ideal for use on golf courses and sport fields

Quote ID :17995600Customer Name : TOWN OF YORKTOWN

Key Features

Free-floating mower deck

The FM20 and FM21 Series Flex-Wing Grooming Mowers have completely independent free-floating mowing decks that provide a perfect cut on uneven terrain.



Creates a clean, even finish

Key Features

Spiral gearbox gears transfer more power

The rugged gearbox on the FM Series Flex-Wing Grooming Mowers features spiral gears to dramatically reduce noise, increase endurance, and transfer more power to the blades.



Gearbox enhances overall
mower performance

Key Features

Mulching kits for grooming mowers

A mulching kit is available as an attachment for field conversion. The mulching kit includes unique mulching blades, baffles, and guard supports to produce smaller clippings, which decompose faster than clippings that haven't been mulched.

Operators should follow the one-third rule for cutting height when mulching in grass.

This mulching kit also does an excellent job when mulching leaves.

Quote ID :17995600Customer Name : TOWN OF YORKTOWN



Kit includes baffles, blades,
and guard supports

Key Features

Hydraulic unlock system conversion kit for FM20 and FM21 Series Flex-Wing Grooming Mowers

The hydraulic unlock system field conversion kit is available for FM20 and FM21 Series Flex-Wing Grooming Mowers.

This conversion kit allows the operator to unlock the wings from the tractor seat with the convenience of a hydraulic lever. It replaces the standard rope disengagement that comes with the flex-wing mower.

The hydraulic unlock system requires one additional selective control valve (SCV) (two total) and is ideal for lawn services that fold and unfold the unit to go from job to job.



Replaces standard
rope disengagement

Key Features

Telescoping wings for adjustable cutting width

The telescoping wings on the FM20 and FM21 Series Flex-Wing Grooming Mowers allow for adjustable cutting widths to increase or decrease mower overlap for slope applications.

Quote ID :17995600Customer Name : TOWN OF YORKTOWN



Adjust to the cutting width of choice

Key Features

Choose from various cutting blades

To meet specific mowing needs, choose from four blade types:

- Standard
- Mulching
- High lift
- Flat



Three blades per deck

Key Features

Auto-engage transport latch

For added safety, the transport latching mechanism on the FM Series Flex-Wing Grooming Mower automatically engages when the decks are raised into the transport position.





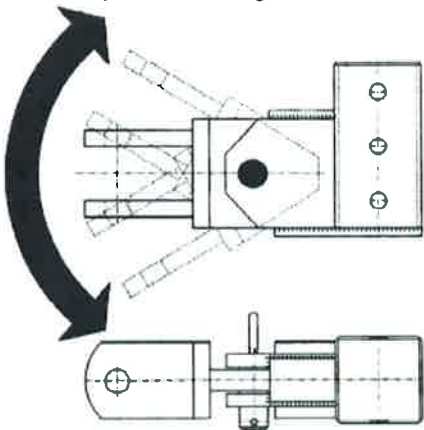
Latch automatically engages

Transport position

Key Features

Floating hitch kit for FM20 and FM21 Series Flex-Wing Grooming Mowers

The optional floating hitch is for undulating terrain, providing increased flexibility and mowing results.



Drawing from operator manual