

Reids Electrical Service, LLC

P. O. Box 337
Yorktown, IN 47396

Phone # (765)759-5047

Fax # (765)759-5516

Estimate

Date	Estimate #
11/13/2018	2018-1113-3

Name / Address
Town of Yorktown 9800 W. Smith Street Yorktown, IN 47396

Job Name & Address

Description	Total
<p>We hereby propose to furnish all labor, material and, equipment for the installation of power for new pump</p> <p>Items Included in Proposal:</p> <ul style="list-style-type: none">* all excavation to install power to location of pump* Transformer for 120 volt power for receptacle at pump location* Control panel with Stainless Steel enclosure for pump <p>Items Not Included in Proposal:</p> <p>Price for the above described work will be:</p> <p>Terms are net 15 days: Due to the volatile market of conduit and wiring at this time, this proposal is void if not accepted in writing within 15 days after this date. Acceptance after 15 days will result in review of the current market prices and any increases in material costs will result in additional compensation to Reid's Electrical Service for said costs. No work shall commence until this proposal is returned to the contractor signed below by the customer.</p> <p>Accepted by _____ Customer By _____ Reids Electrical Service, LLC</p> <p>Date _____ Date _____</p>	8,100.00

Thanks for the opportunity to quote this job.



Xylem Water Solutions USA, Inc.
Flygt Products

November 7, 2018

7615 West New York Street
Indianapolis, IN 46214
Tel 317/273-4470
Fax 317/273-4480

YORKTOWN MUNICIPAL WATER
PO BOX 518
YORKTOWN IN 47396

Quote # 2018-IND-0832
Re: Yorktown- Transfer Pump & Accessories

Xylem Water Solutions USA, Inc. is pleased to provide a quote for the following Flygt equipment for the project referenced above.

FLYGT PUMP & ACCESSORIES

Qty	Part Number	Description
1	3069.060-0032	Flygt Model NX-3069.060 2" volute Submersible pump equipped with a 460 Volt / 3 phase / 60 Hz 3.8 HP 3550 RPM motor, 272 impeller 30 Ft. length of SUBCAB 4G2,5+2x1,5 submersible cable
1	806 99 00	KIT,INSTALLATION P 2X2" 3/4"GB
1	486 55 01	CONNECTION,DISCH 2X2"NPT CI
1	14-58 95 45	HARDWARE,DISC CONN ASSY 304SS
1	14-58 91 06	HOOK,SAFETY ASSEMBLY SS
1	14-58 72 08	KIT,CHAIN FITTING 3067-3127+ 316SS
12	14-48 71 13	CHAIN,3/16" 316L
	14-69 00 08A	LABOR,MOBILE FLYGT,NOTAX Z5-TP MODELS: 3000,7000,8000

Total Project Price \$ 7,689.00

*PRICING SHOWN REFLECTS ONLY- INSTALLATION OF DISCHARGE ELBOW, GUIDE RAILS, UPPER GUIDE RAIL BRACKET, PUMP, SCHD 80 PVC DISCHARGE PIPE STUBBED OUT OF THE WET WELL 3'.

*NOT INCLUDED- CONTROL PANEL, JUNCTION BOXES, ADDITIONAL PIPING, WET WELL EMPTY AND CLEANING

Terms & Conditions

This order is subject to the Standard Terms and Conditions of Sale – Xylem Americas effective on the date the order is accepted which terms are available at <http://www.xylem.com/en-us/Pages/terms-conditions-of-sale.aspx> and incorporated herein by reference and made a part of the agreement between the parties.

Purchase Orders: Please make purchase orders out to: Xylem Water Solutions USA, Inc.

Freight Terms: 3 DAP - Delivered At Place 08 - Jobsite (per IncoTerms 2010)

See Freight Payment (Delivery Terms) below.

Taxes: State, local and other applicable taxes are not included in this quotation.



- Back Charges:** Buyer shall not make purchases nor shall Buyer incur any labor that would result in a back charge to Seller without prior written consent of an authorized employee of Seller.
- Shortages:** Xylem will not be responsible for apparent shipment shortages or damages incurred in shipment that are not reported within two weeks from delivery to the jobsite. Damages should be noted on the receiving slip and the truck driver advised of the damages. Please contact our office as soon as possible to report damages or shortages so that replacement items can be shipped and the appropriate claims made.
- Taxes:** Taxes: State, local and other applicable taxes are not included in this quotation. If tax exempt, please provide a copy of your Indiana State ST-105 Form with your order so we are able to update your Xylem Water Solutions USA, Inc. customer file.
- Schedule:** Submittals are not applicable. Delivery lead time is 4 to 5 weeks after order acceptance based on current stock and released for production.
- Terms of Payment:** 100% N60 after invoice date.
- Terms of Delivery:** PP/Add Order Position
- Validity:** This Quote is valid for sixty (60) days.
- Changes:** This Quote is based on the current design criteria provided to Xylem Water Solutions USA, Inc. Revisions may result in price changes.
- Exclusions:** This Quote includes only the items listed specified above.
- Warranty:** Standard warranty terms apply to the items in this quotation.

Thank you for the opportunity to provide this quotation. Please contact us if there are any questions.

Sincerely,



Lucas Gibson
Sales Representative
Phone: 317-273-4470





Customer Acceptance

This order is subject to the Standard Terms and Conditions of Sale – Xylem Americas effective on the date the order is accepted which terms are available at <http://www.xylem.com/en-us/Pages/terms-conditions-of-sale.aspx> and incorporated herein by reference and made a part of the agreement between the parties.

A signed copy of this Quote is acceptable as a binding contract.

Purchase Orders: Please make purchase orders out to: Xylem Water Solutions USA, Inc.

Quote #: 2018-IND-0832
Customer Name: YORKTOWN MUNICIPAL WATER
Job Name:
Total Amount: \$ 7,689.00

Signature: _____ Name: _____
(PLEASE PRINT)

Company/Utility: _____ PO: _____

Address: _____ Date: _____

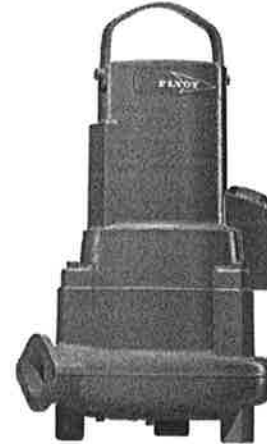
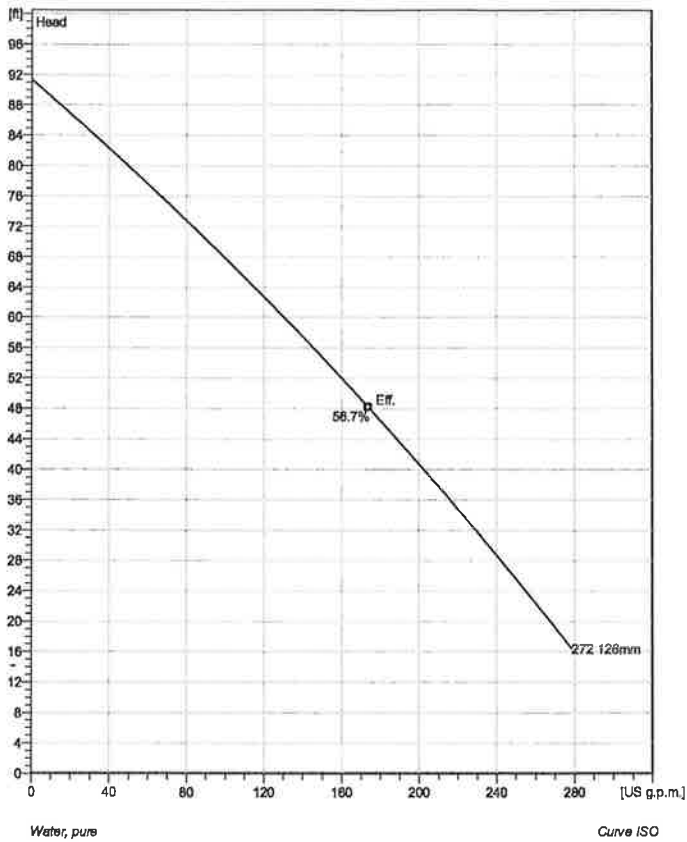
_____ Phone: _____

_____ Email: _____

_____ Fax: _____



NP 3069 SH 3~ Adaptive 272 Technical specification



Note: Picture might not correspond to the current configuration.

General

Patented self cleaning semi-open channel impeller, ideal for pumping in waste water applications. Possible to be upgraded with Guide-pin® for even better clogging resistance. Modular based design with high adaptation grade.

Impeller

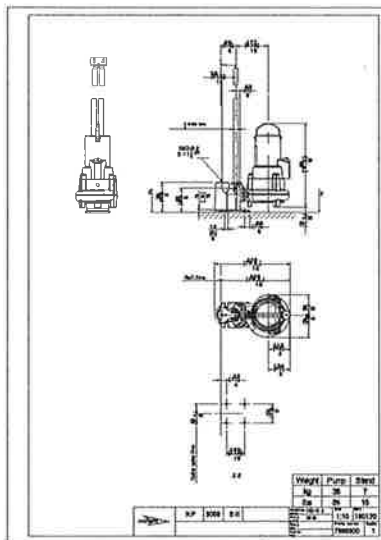
Impeller material	Hard-Iron™
Discharge Flange Diameter	1 15/16 Inch
Suction Flange Diameter	3 15/16 Inch
Impeller diameter	126 mm
Number of blades	2

Motor

Motor #	N3069.060 13-10-2BB-W 3.8hp Standard
Stator variant	6
Frequency	60 Hz
Rated voltage	460 V
Number of poles	2
Phases	3~
Rated power	3.8 hp
Rated current	5.1 A
Starting current	32 A
Rated speed	3395 rpm
Power factor	
1/1 Load	0.85
3/4 Load	0.78
1/2 Load	0.67
Motor efficiency	
1/1 Load	82.6 %
3/4 Load	84.5 %
1/2 Load	84.5 %

Configuration

Installation: P - Semi permanent, Wet



Project	Project ID	Created by	Created on	Last update
			11/7/2018	



NP 3069 SH 3~ Adaptive 272

Performance curve

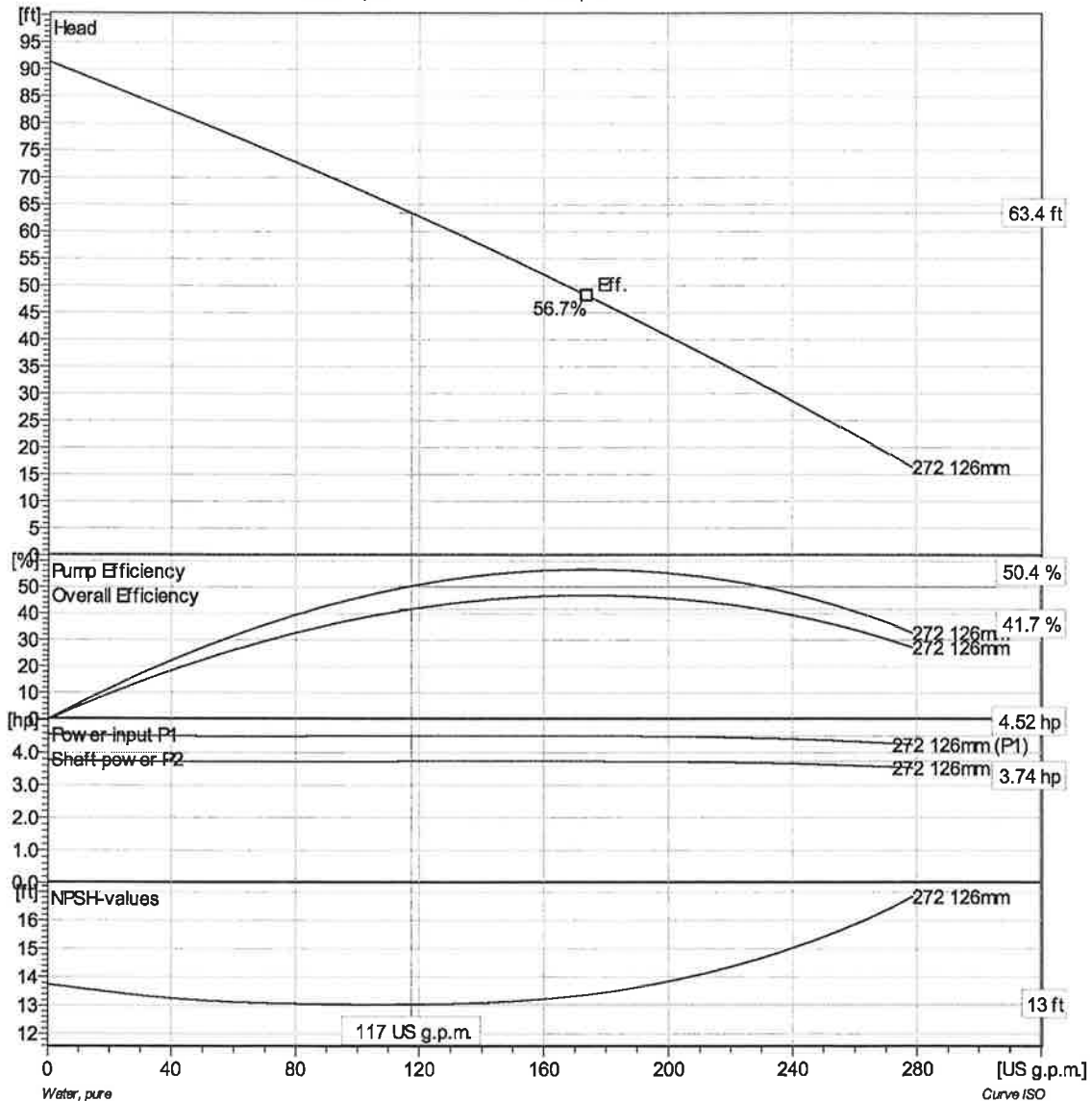
Pump

Discharge Flange Diameter 1 15/16 inch
 Suction Flange Diameter 100 mm
 Impeller diameter 4 15/16"
 Number of blades 2

Motor

Motor # N3069.060 13-10-2BB-W 3.8hp
 Stator variant 6
 Frequency 60 Hz
 Rated voltage 460 V
 Number of poles 2
 Phases 3~
 Rated power 3.8 hp
 Rated current 5.1 A
 Starting current 32 A
 Rated speed 3395 rpm

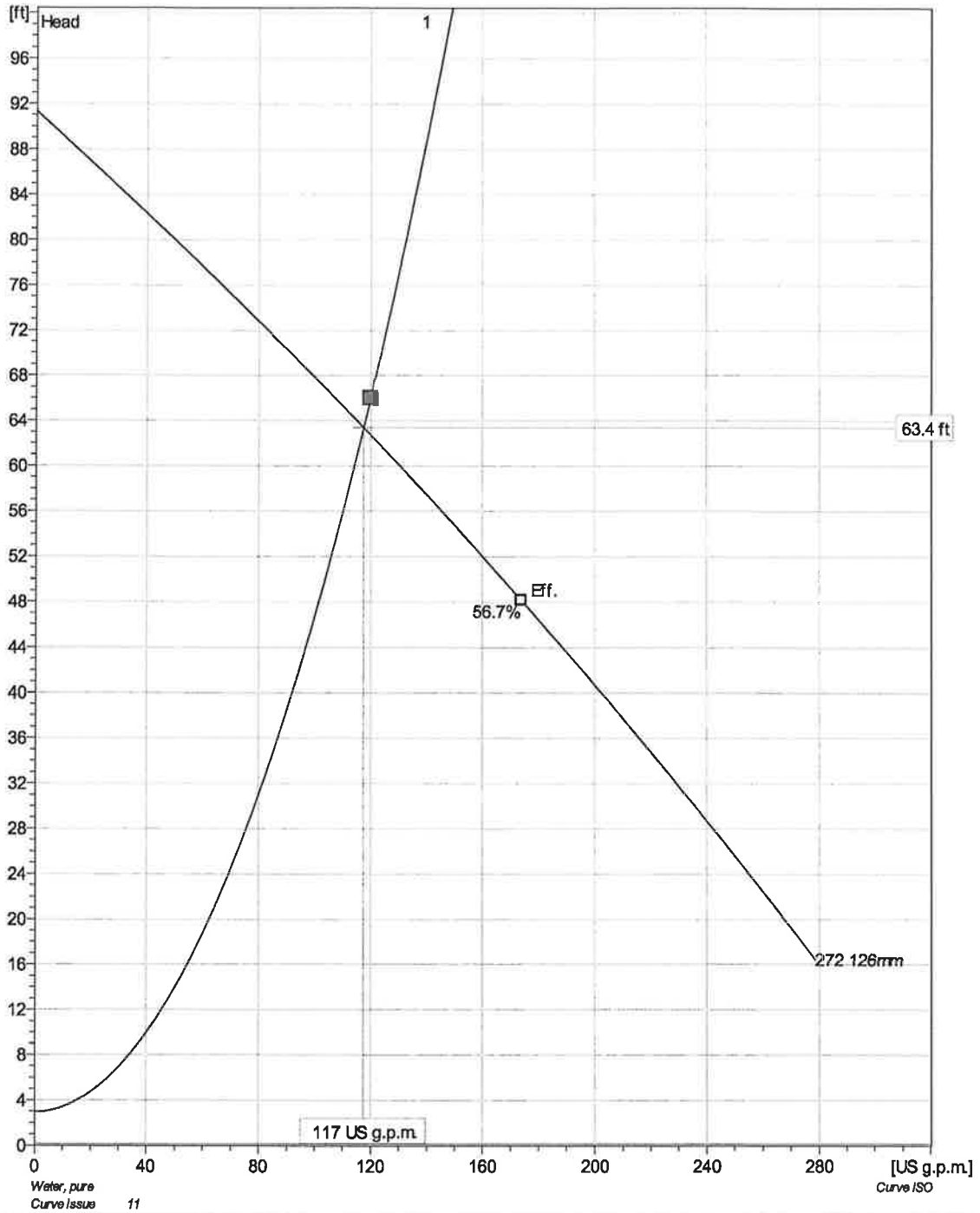
Power factor
 1/1 Load 0.85
 3/4 Load 0.78
 1/2 Load 0.67
 Motor efficiency
 1/1 Load 82.6 %
 3/4 Load 84.5 %
 1/2 Load 84.5 %



Duty point		Guarantee
Flow	Head	
120 US g.p.m.	66 ft	No

Project	Project ID	Created by	Created on	Last update
			11/7/2018	

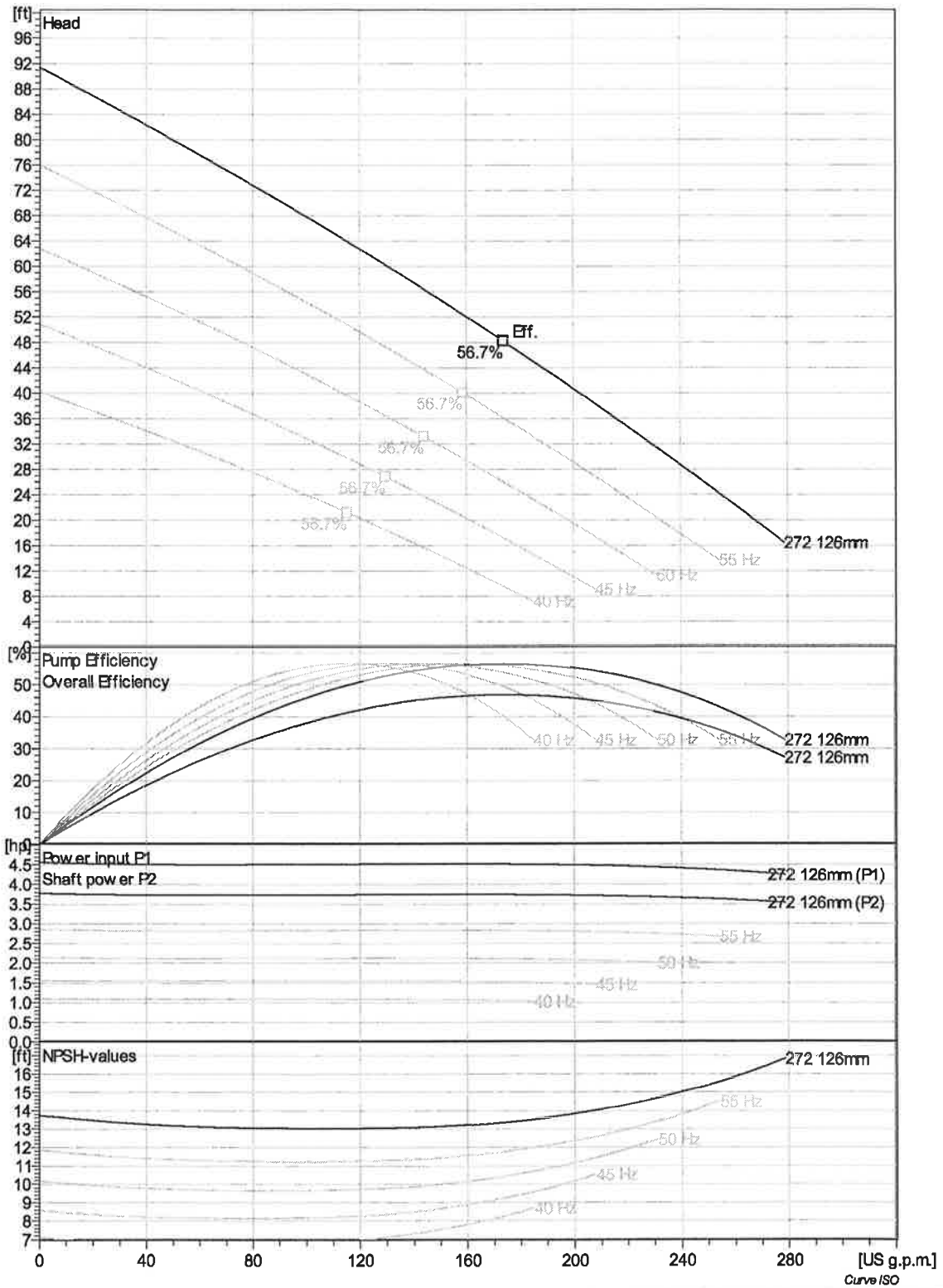
NP 3069 SH 3~ Adaptive 272 Duty Analysis



Pumps running /System	Individual pump			Total			Pump eff.	Specific energy	NPSH _{req}
	Flow	Head	Shaft power	Flow	Head	Shaft power			
1	117 US g.p.m.	63.4 ft	3.74 hp	117 US g.p.m.	63.4 ft	3.74 hp	50.4 %	478 kWh/USMG	13 ft

Project	Project ID	Created by	Created on 11/7/2018	Last update
---------	------------	------------	-------------------------	-------------

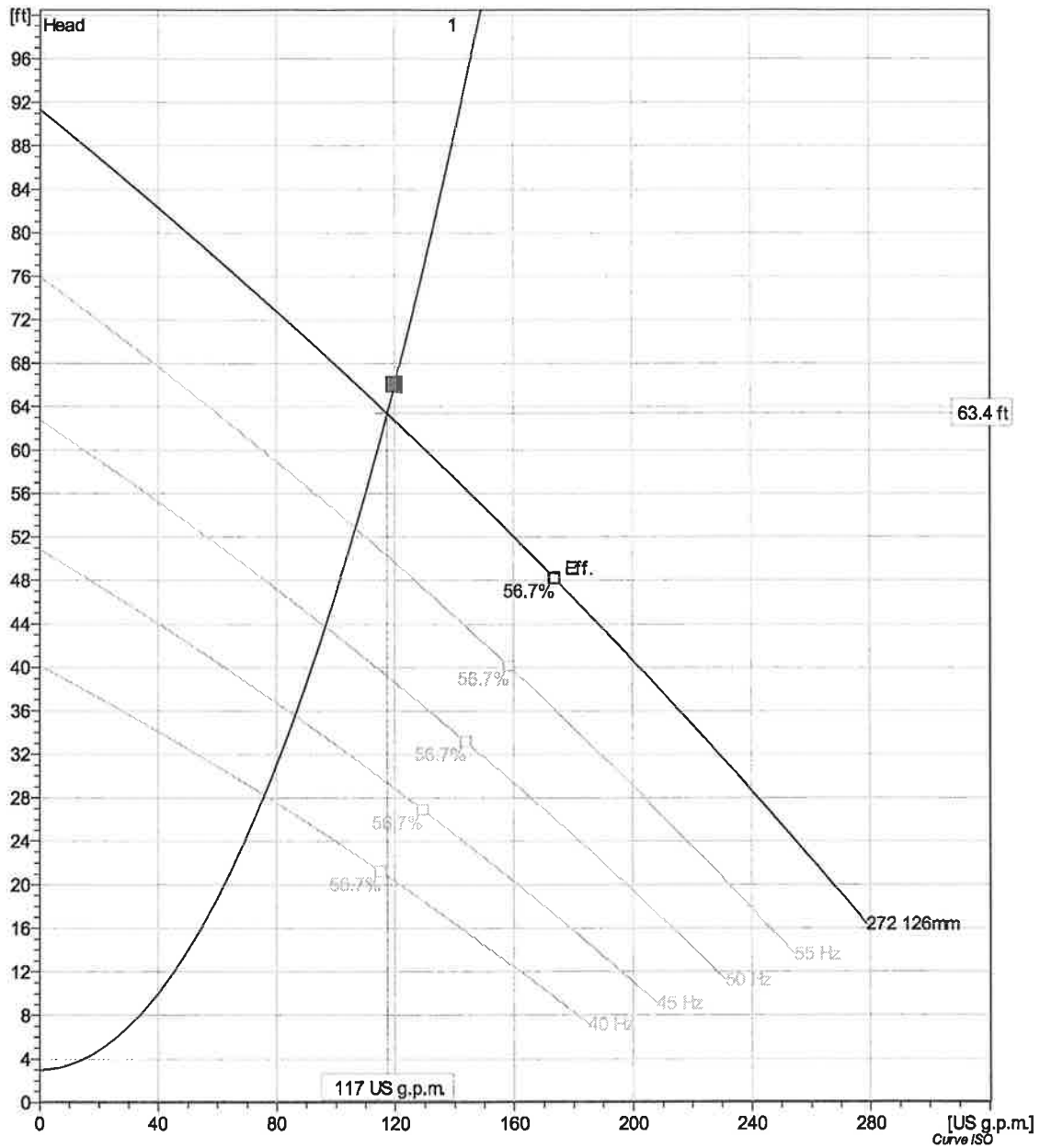
NP 3069 SH 3~ Adaptive 272 VFD Curve



Project	Project ID	Created by	Created on	Last update
			11/7/2018	

NP 3069 SH 3~ Adaptive 272

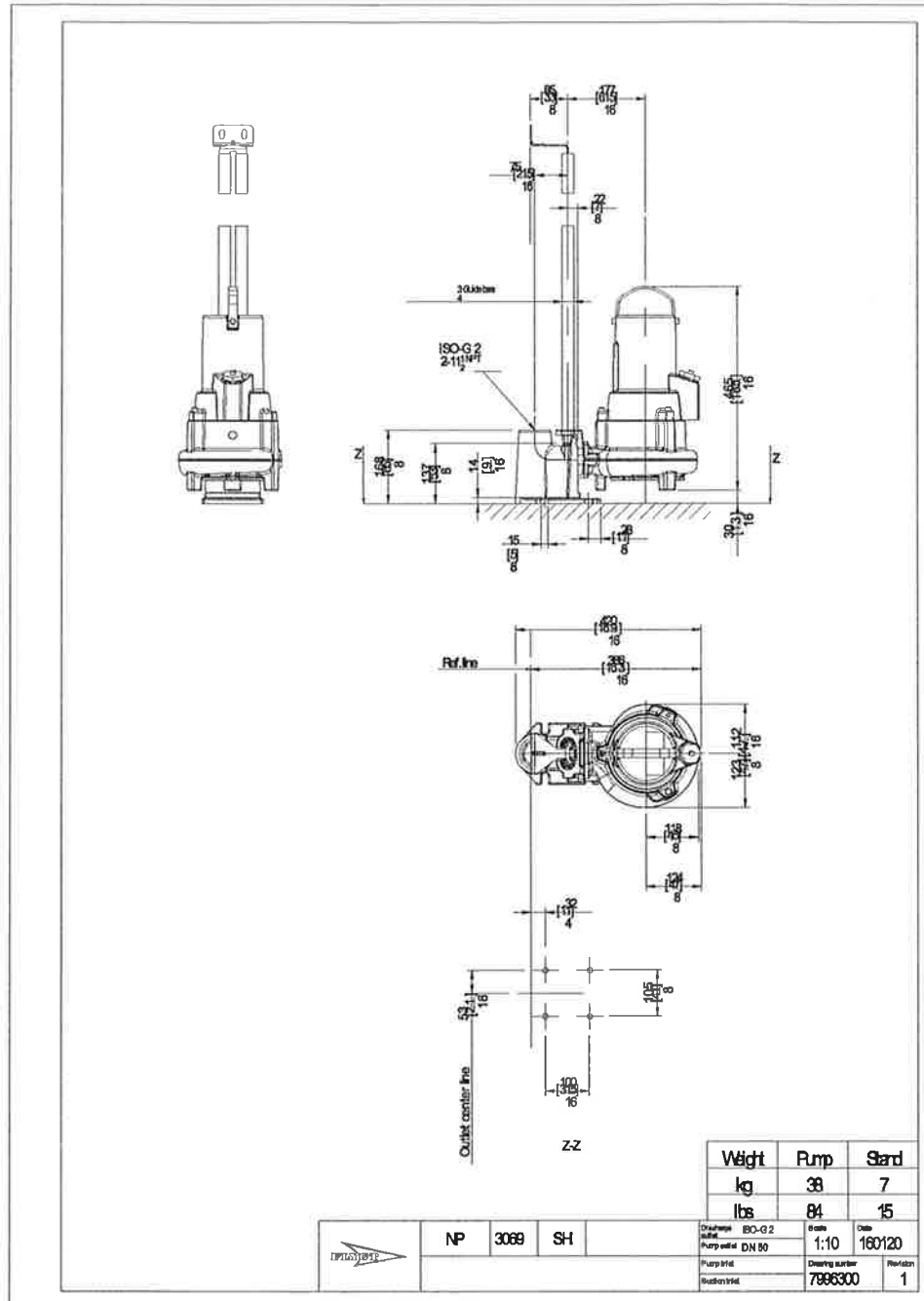
VFD Analysis



Pumps running /System	Frequency	Flow	Head	Shaft power	Flow	Head	Shaft power	Hyd eff.	Specific energy	NPSHre
1	80 Hz	117 US g.p.m.	63.4 ft	3.74 hp	117 US g.p.m.	63.4 ft	3.74 hp	50.4 %	478 kWh/US MG	13 ft
1	55 Hz	107 US g.p.m.	52.8 ft	2.84 hp	107 US g.p.m.	52.8 ft	2.84 hp	50.3 %	390 kWh/US MG	11.3 ft
1	50 Hz	96.5 US g.p.m.	43.8 ft	2.13 hp	96.5 US g.p.m.	43.8 ft	2.13 hp	50.1 %	325 kWh/US MG	9.96 ft
1	45 Hz	86.3 US g.p.m.	35.6 ft	1.55 hp	86.3 US g.p.m.	35.6 ft	1.55 hp	50 %	271 kWh/US MG	8.16 ft
1	40 Hz	75.9 US g.p.m.	28.2 ft	1.09 hp	75.9 US g.p.m.	28.2 ft	1.09 hp	49.7 %	226 kWh/US MG	6.76 ft

Project	Project ID	Created by	Created on	Last update
			11/7/2018	

NP 3069 SH 3~ Adaptive 272 Dimensional drawing



Project	Project ID	Created by	Created on	Last update
			11/7/2018	



Pumped fluid	Water		Number of pumps	1		
Flow	120 US g.p.m.		Nature of system	Single head pump		
Static head	10 ft		Layout	Wet well installation		
Viscosity	1.69E-5 ft ² /s		Calculation model	Colebrook-White		
friction loss						
Force Main						
Piping 1 (7)						
Type	Ø / inch	? or L	Qty.	v / ft/s	k / inch	H / ft
Piping: Plastic#PVC 2" / ASME Sch 40	2.067	240 ft	1	11.47	0.0003937	52.62
Discharge Connection: 2"	2.067	0.3	1	11.47		0.6135
Elbows: 2"	2.067	1.5	5	11.47		3.068
Total friction head						56.3
Friction loss head						56.3 ft
Total static head						10 ft
Total head						66.3 ft